

VAL-MS 230/3+1 - Type 2 surge arrester

2838209

<https://www.phoenixcontact.com/nz/products/2838209>

Please be informed that the data shown in this PDF document is generated from our online catalog. Please find the complete data in the user documentation. Our general terms of use for downloads are valid.



Surge arrester consisting of base element and ground connectors, for mounting on NS 35/7.5, nominal voltage: 230 V AC, 3 + 1 circuit

Your advantages

- Quality proven millions of times over in the widest range of applications
- Rapid installation with bridges, thanks to industry-standard overall width of 1 HP
- Easy testing and insulation measurement, thanks to pluggable protection modules
- Wide range of applications due to various nominal voltages
- High degree of modularity provides individual solutions for every application

Commercial data

Item number	2838209
Packing unit	1 pc
Minimum order quantity	1 pc
Note	Made to order (non-returnable)
Sales key	CL1321
Product key	CL1321
GTIN	4017918172824
Weight per piece (including packing)	391.48 g
Weight per piece (excluding packing)	343.6 g
Country of origin	DE

VAL-MS 230/3+1 - Type 2 surge arrester

2838209

<https://www.phoenixcontact.com/nz/products/2838209>

Technical data

Product properties

Product type	Surge arrester
Product family	VALVETRAB MS
IEC test classification	II T2
EN type	T2
IEC power supply system	TN-S TT
Type	DIN rail module, two-section, divisible
Number of positions	4
Surge protection fault message	optical
Number of ports	One

Insulation characteristics

Overvoltage category	III
Pollution degree	2

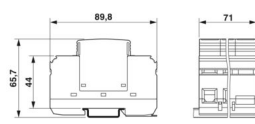
Electrical properties

Nominal frequency f_N	50 Hz (60 Hz)
-------------------------	---------------

Connection data

Connection method	Screw connection
Screw thread	M5
Tightening torque	3 Nm (1.5 mm ² ... 16 mm ²) 4.5 Nm (25 mm ² ... 35 mm ²)
Stripping length	16 mm
Conductor cross-section flexible	1.5 mm ² ... 25 mm ²
Conductor cross-section rigid	1.5 mm ² ... 35 mm ²
Conductor cross-section AWG	15 ... 2
Connection method	Fork-type cable lug
Conductor cross-section flexible	1.5 mm ² ... 16 mm ²

Dimensions

Dimensional drawing	
Width	71 mm
Height	89.8 mm
Depth	65.7 mm (incl. DIN rail 7.5 mm)
Horizontal pitch	4 Div.

VAL-MS 230/3+1 - Type 2 surge arrester



2838209

<https://www.phoenixcontact.com/nz/products/2838209>

Material specifications

Color	black (RAL 9005)
Flammability rating according to UL 94	V-0
CTI value of material	600
Insulating material	PA 6.6/PBT
Material group	I
Housing material	PA 6.6
	PBT

Protective circuit

Mode of protection	L-N
	L-PE
	N-PE
Direction of action	3L-N & N-PE
Nominal voltage U_N	240/415 V AC (TN-S)
	240/415 V AC (TT)
Nominal frequency f_N	50 Hz (60 Hz)
Maximum continuous operating voltage U_C (L-N)	275 V AC
Maximum continuous operating voltage U_C (L-PE)	275 V AC
Maximum continuous operating voltage U_C (N-PE)	260 V AC
Rated load current I_L	80 A
Protective conductor current I_{PE}	$\leq 5 \mu\text{A}$
Standby power consumption P_C	$\leq 360 \text{ mVA}$
Nominal discharge current I_n (8/20) μs	20 kA
Maximum discharge current I_{max} (8/20) μs	40 kA
Follow current interrupt rating I_{fi} (N-PE)	100 A
Short-circuit current rating I_{SCCR}	25 kA
Voltage protection level U_p (L-N)	$\leq 1.35 \text{ kV}$
Voltage protection level U_p (L-PE)	$\leq 1.6 \text{ kV}$
Voltage protection level U_p (N-PE)	$\leq 1.5 \text{ kV}$
Residual voltage U_{res} (L-N)	$\leq 1.35 \text{ kV}$ (at I_n)
	$\leq 1.1 \text{ kV}$ (at 10 kA)
	$\leq 1 \text{ kV}$ (at 5 kA)
	$\leq 0.9 \text{ kV}$ (at 3 kA)
Residual voltage U_{res} (L-PE)	$\leq 1.6 \text{ kV}$ (at I_n)
	$\leq 1.2 \text{ kV}$ (at 10 kA)
	$\leq 1 \text{ kV}$ (at 5 kA)
	$\leq 0.9 \text{ kV}$ (at 3 kA)
Residual voltage U_{res} (N-PE)	$\leq 0.4 \text{ kV}$ (at I_n)
	$\leq 0.25 \text{ kV}$ (at 10 kA)
	$\leq 0.15 \text{ kV}$ (at 5 kA)
	$\leq 0.1 \text{ kV}$ (at 3 kA)
TOV behavior at U_T (L-N)	335 V AC (5 s / withstand mode)

VAL-MS 230/3+1 - Type 2 surge arrester



2838209

<https://www.phoenixcontact.com/nz/products/2838209>

	440 V AC (120 min / safe failure mode)
TOV behavior at U_T (N-PE)	1200 V AC (200 ms / withstand mode)
Response time t_A (L-N)	≤ 25 ns
Response time t_A (L-PE)	≤ 100 ns
Response time t_A (N-PE)	≤ 100 ns
Max. backup fuse with V-type through wiring	80 A (gG)
Max. backup fuse with branch wiring	125 A (gG)

Environmental and real-life conditions

Ambient conditions

Degree of protection	IP20 (only when all terminal points are used)
Ambient temperature (operation)	-40 °C ... 80 °C
Ambient temperature (storage/transport)	-40 °C ... 80 °C
Altitude	≤ 2000 m (amsl)
Permissible humidity (operation)	5 % ... 95 %
Shock (operation)	25g (Half-sine / 11 ms / 3x ±X, ±Y, ±Z)
Vibration (operation)	5g (10 ... 500 Hz / 2.5 h / X, Y, Z)

Approvals

UL specifications

Maximum continuous operating voltage MCOV (L-L)	550 V AC
Maximum continuous operating voltage MCOV (L-N)	275 V AC
Maximum continuous operating voltage MCOV (L-G)	275 V AC
Maximum continuous operating voltage MCOV (N-G)	260 V AC
Nominal discharge current I_n (L-L)	20 kA
Nominal discharge current I_n (L-N)	20 kA
Nominal discharge current I_n (L-G)	20 kA
Nominal discharge current I_n (N-G)	20 kA
Mode of protection	L-L L-N L-G N-G
Nominal voltage	230/400 V AC
Power distribution system	Wye
Nominal frequency	50/60 Hz
Measured limiting voltage MLV (L-L)	2720 V
Measured limiting voltage MLV (L-N)	1910 V
Measured limiting voltage MLV (L-G)	2630 V
Measured limiting voltage MLV (N-G)	1370 V
SPD Type	4CA

UL connection data

Tightening torque	30 lb _F -in.
Conductor cross-section AWG	14 ... 2

VAL-MS 230/3+1 - Type 2 surge arrester



2838209

<https://www.phoenixcontact.com/nz/products/2838209>

Standards and regulations

Standards/specifications	IEC 61643-11
Note	2011
Standards/specifications	EN 61643-11
Note	2012

Mounting

Mounting type	DIN rail: 35 mm
---------------	-----------------

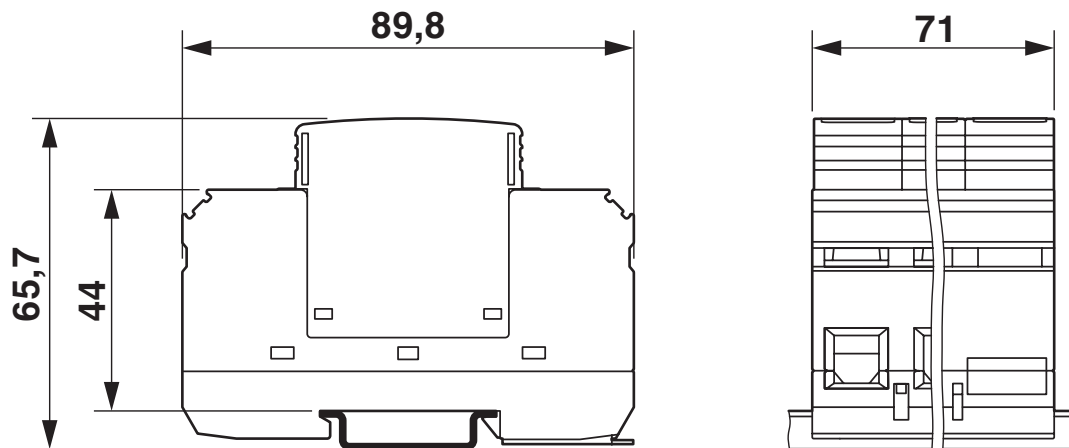
VAL-MS 230/3+1 - Type 2 surge arrester

2838209

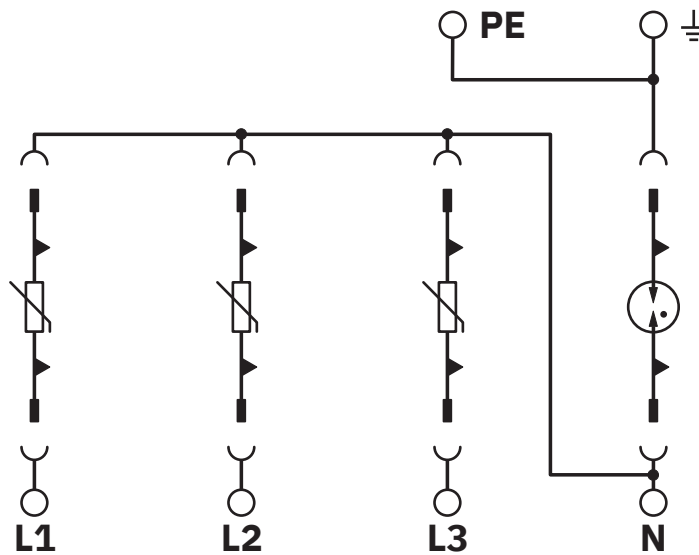
<https://www.phoenixcontact.com/nz/products/2838209>

Drawings

Dimensional drawing



Circuit diagram



VAL-MS 230/3+1 - Type 2 surge arrester



2838209

<https://www.phoenixcontact.com/nz/products/2838209>

Approvals

To download certificates, visit the product detail page: <https://www.phoenixcontact.com/nz/products/2838209>



cUL Recognized

Approval ID: FILE E 330181



UL Recognized

Approval ID: FILE E 330181



IECEE CB Scheme

Approval ID: AT 2905/M1

CCA

Approval ID: NTR-AT 1947-A



KEMA-KEUR

Approval ID: 71-148002



DNV GL

Approval ID: TAE000041M



CSA

Approval ID: 13631



ÖVE

Approval ID: 18583-001-17

UAE-RoHS

Approval ID: 22-09-51250



ÖVE

Approval ID: 18583-001-18

VAL-MS 230/3+1 - Type 2 surge arrester



2838209

<https://www.phoenixcontact.com/nz/products/2838209>

Classifications

ECLASS

ECLASS-13.0	27171202
ECLASS-15.0	27171202

ETIM

ETIM 10.0	EC000941
-----------	----------

UNSPSC

UNSPSC 21.0	39121600
-------------	----------

VAL-MS 230/3+1 - Type 2 surge arrester



2838209

<https://www.phoenixcontact.com/nz/products/2838209>

Environmental product compliance

EU RoHS

Fulfills EU RoHS substance requirements	Yes, No exemptions
---	--------------------

China RoHS

Environment friendly use period (EFUP)	EFUP-E
	No hazardous substances above the limits

EU REACH SVHC

REACH candidate substance (CAS No.)	No substance above 0.1 wt%
-------------------------------------	----------------------------

VAL-MS 230/3+1 - Type 2 surge arrester

2838209

<https://www.phoenixcontact.com/nz/products/2838209>

Accessories

MPB 18/1-10/1.0.0 - Wiring bridge

2830443

<https://www.phoenixcontact.com/nz/products/2830443>



Wiring bridge for modules with connecting pitch 17.5 mm, 1-phase, 10 pitches with contact sequence 1-0-0

MPB 18/4- 8 - Wiring bridge

2809283

<https://www.phoenixcontact.com/nz/products/2809283>



Wiring bridge for modules with connecting pitch 17.5 mm, 4-phase, 8-pos.

VAL-MS 230/3+1 - Type 2 surge arrester

2838209

<https://www.phoenixcontact.com/nz/products/2838209>

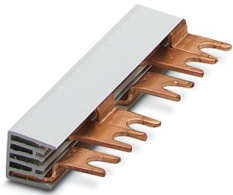


MPB 18/3- 6 - Wiring bridge

2809241

<https://www.phoenixcontact.com/nz/products/2809241>

Wiring bridge for modules with connecting pitch 17.5 mm, 3-phase, 6-pos.



MPB 18/1-57 - Wiring bridge

2809238

<https://www.phoenixcontact.com/nz/products/2809238>

Wiring bridge for modules with connecting pitch 17.5 mm, 1-phase, 57-pos.



VAL-MS 230/3+1 - Type 2 surge arrester

2838209

<https://www.phoenixcontact.com/nz/products/2838209>

MPB 18/1-12 - Wiring bridge

2748593

<https://www.phoenixcontact.com/nz/products/2748593>



Wiring bridge for modules with connecting pitch 17.5 mm, 1-phase, 12-pos.

MPB 18/1- 9 - Wiring bridge

2748580

<https://www.phoenixcontact.com/nz/products/2748580>



Wiring bridge for modules with connecting pitch 17.5 mm, 1-phase, 9-pos.

VAL-MS 230/3+1 - Type 2 surge arrester

2838209

<https://www.phoenixcontact.com/nz/products/2838209>

MPB 18/1- 8 - Wiring bridge

2748577

<https://www.phoenixcontact.com/nz/products/2748577>

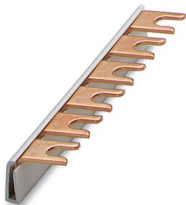


Wiring bridge for modules with connecting pitch 17.5 mm, 1-phase, 8-pos.

MPB 18/1- 6 - Wiring bridge

2748564

<https://www.phoenixcontact.com/nz/products/2748564>



Wiring bridge for modules with connecting pitch 17.5 mm, 1-phase, 6-pos.

VAL-MS 230/3+1 - Type 2 surge arrester

2838209

<https://www.phoenixcontact.com/nz/products/2838209>

MPB 18/1- 4 - Wiring bridge

2809225

<https://www.phoenixcontact.com/nz/products/2809225>

Wiring bridge for modules with connecting pitch 17.5 mm, 1-phase, 4-pos.



MPB 18/1- 3 - Wiring bridge

2809212

<https://www.phoenixcontact.com/nz/products/2809212>

Wiring bridge for modules with connecting pitch 17.5 mm, 1-phase, 3-pos.



VAL-MS 230/3+1 - Type 2 surge arrester

2838209

<https://www.phoenixcontact.com/nz/products/2838209>



MPB 18/1- 2 - Wiring bridge

2809209

<https://www.phoenixcontact.com/nz/products/2809209>

Wiring bridge for modules with connecting pitch 17.5 mm, 1-phase, 2-pos.



ZBN 18,LGS:ERDE - Marker for terminal blocks

2749589

<https://www.phoenixcontact.com/nz/products/2749589>

Marker for terminal blocks, Strip, white (RAL 9010), labeled, horizontal:
Grounding symbol, mounting type: latching, for terminal block width: 18 mm,
Number of individual labels: 5, text field height: 5 mm, text field width: 18 mm



VAL-MS 230/3+1 - Type 2 surge arrester

2838209

<https://www.phoenixcontact.com/nz/products/2838209>

ZBN 18,LGS:L1-N,ERDE - Marker for terminal blocks

2749576

<https://www.phoenixcontact.com/nz/products/2749576>



Marker for terminal blocks, Strip, white (RAL 9010), labeled, horizontal: L1, L2, L3, N, GND, mounting type: latching, for terminal block width: 18 mm, Number of individual labels: 5, text field height: 5 mm, text field width: 18 mm

ZBN 18:UNBEDRUCKT - Zack marker strip

2809128

<https://www.phoenixcontact.com/nz/products/2809128>



Zack marker strip, Strip, white (RAL 9010), unmarked, can be labeled with: CMS-P1-PLOTTER, PLOTMARK, mounting type: latching, for terminal block width: 18 mm, Number of individual labels: 5, text field height: 5 mm, text field width: 18 mm

VAL-MS 230/3+1 - Type 2 surge arrester

2838209

<https://www.phoenixcontact.com/nz/products/2838209>



DK-BIC-35 - Feed-through terminal block

2749880

<https://www.phoenixcontact.com/nz/products/2749880>

Feed-through terminal block for VAL and FLT applications



ZBN 18 CUS - Zack marker strip

0825059

<https://www.phoenixcontact.com/nz/products/0825059>

Zack marker strip, can be ordered: Strip, white (RAL 9010), labeled according to customer specifications, mounting type: snap into tall marker groove, for terminal block width: 18 mm, Number of individual labels: 5, text field height: 5 mm, text field width: 18 mm



VAL-MS 230/3+1 - Type 2 surge arrester

2838209

<https://www.phoenixcontact.com/nz/products/2838209>



B-STIFT - Marker pen

1051993

<https://www.phoenixcontact.com/nz/products/1051993>



Marker pen, for manual labeling of unprinted Zack strips, smear-proof and waterproof, line thickness 0.5 mm

SZK PZ2 VDE - Screwdriver

1206463

<https://www.phoenixcontact.com/nz/products/1206463>



Screwdriver, PZ crosshead, VDE insulated, size: PZ 2 x 100 mm, 2-component grip, with non-slip grip

VAL-MS 230/3+1 - Type 2 surge arrester

2838209

<https://www.phoenixcontact.com/nz/products/2838209>

VAL-MS 230 ST - Type 2 surge protection plug

2798844

<https://www.phoenixcontact.com/nz/products/2798844>



Surge protection connector type 2 with high-capacity varistor for VAL-MS base element, thermal monitoring, visual fault warning. Design: 230 V AC

F-MS 12 ST - Type 2 surge protection plug

2817990

<https://www.phoenixcontact.com/nz/products/2817990>



Surge protection plug type 2, with N-PE total current spark gap for base element.

Phoenix Contact 2026 © - all rights reserved
<https://www.phoenixcontact.com>

PHOENIX CONTACT Ltd
Unit 15C, 906-930 Great South Road, Penrose
Auckland 1061
0508 474 636
sales@phoenixcontact.co.nz