

SYS-SET/ 2 - Type 1+2 special combined lightning current and surge arrester



2880451

<https://www.phoenixcontact.com/za/products/2880451>

Please be informed that the data shown in this PDF document is generated from our online catalog. Please find the complete data in the user documentation. Our general terms of use for downloads are valid.



Plug-in lightning current arrester and surge protective device combination, in accordance with Type 1+2/Class I+II, for 3-phase power supply networks, with separate N and PE (5-conductor system: L1, L2, L3, N, PE), without remote indication contact.

Commercial data

Item number	2880451
Packing unit	1 pc
Minimum order quantity	1 pc
Sales key	CL1
Product key	CL1243
GTIN	4017918991166
Weight per piece (including packing)	1 276 g
Weight per piece (excluding packing)	1 176 g
Customs tariff number	85363030
Country of origin	DE

SYS-SET/ 2 - Type 1+2 special combined lightning current and surge arrester



2880451

<https://www.phoenixcontact.com/za/products/2880451>

Technical data

Product properties

Product type	Arrester combination
Product family	SEC Family
IEC test classification	I + II
	T1 + T2
	I
EN type	T1 + T2
IEC power supply system	TN-S
	TT
Type	DIN rail module, two-section, divisible
Number of positions	4
Surge protection fault message	optical
Arrester can be tested with CHECKMASTER from software version:	From SW rev. 3.00
Number of ports	One

Insulation characteristics

Overvoltage category	III
Pollution degree	2

Electrical properties

Nominal frequency f_N	50 Hz (60 Hz)
-------------------------	---------------

Connection data

Connection method	Screw connection
Screw thread	M5
Tightening torque	4.5 Nm
Stripping length	18 mm
Conductor cross-section flexible	2.5 mm ² ... 35 mm ²
Conductor cross-section rigid	2.5 mm ² ... 35 mm ²
Conductor cross-section AWG	13 ... 2
Connection method	Fork-type cable lug
Conductor cross-section flexible	1.5 mm ² ... 16 mm ²

Dimensions

Dimensional drawing	
Width	142.4 mm

SYS-SET/ 2 - Type 1+2 special combined lightning current and surge arrester



2880451

<https://www.phoenixcontact.com/za/products/2880451>

Height	90 mm
Depth	74.5 mm (incl. DIN rail 7.5 mm)
Horizontal pitch	8 Div.

Material specifications

Color (Male connector)	light gray (RAL 7035)
Color (Base element)	gray (RAL 7042)
Flammability rating according to UL 94	V-0
CTI value of material	600
Insulating material	PA6.6-FR 20% GF PBT-FR
Material group	I
Housing material	PA 6.6-FR 20 % GF PBT-FR

Mechanical properties

Mechanical data

Open side panel	No
-----------------	----

Protective circuit

Mode of protection	L-N L-PE N-PE
Direction of action	3L-N & N-PE
Nominal voltage U_N	240/415 V AC (TN-S) 240/415 V AC (TT)
Nominal frequency f_N	50 Hz (60 Hz)
Maximum continuous operating voltage U_C	350 V AC
Rated load current I_L	125 A (< 55 °C)
Protective conductor current I_{PE}	≤ 0.01 mA
Nominal discharge current I_n (8/20) μs (L-N)	25 kA
Nominal discharge current I_n (8/20) μs (L-PE)	25 kA
Nominal discharge current I_n (8/20) μs (N-PE)	100 kA
Impulse discharge current (10/350) μs (L-N), charge	12.5 As
Impulse discharge current (10/350) μs (L-N), specific energy	160 kJ/Ω
Impulse discharge current (10/350) μs (L-N), peak current value I_{imp}	25 kA
Impulse discharge current (10/350) μs (L-PE), charge	12.5 As
Impulse discharge current (10/350) μs (L-PE), specific energy	160 kJ/Ω
Impulse discharge current (10/350) μs (L-PE), peak current value I_{imp}	25 kA
Impulse discharge current (10/350) μs (N-PE), charge	50 As
Impulse discharge current (10/350) μs (N-PE), specific energy	2500 kJ/Ω

SYS-SET/ 2 - Type 1+2 special combined lightning current and surge arrester



2880451

<https://www.phoenixcontact.com/za/products/2880451>

Impulse discharge current (10/350) μs (N-PE), peak current value I_{imp}	100 kA
Follow current quenching capacity I_{fi} (L-N)	25 kA (264 V AC)
	3 kA (350 V AC)
Follow current interrupt rating I_{fi} (N-PE)	100 A (350 V AC)
Short-circuit current rating I_{SCCR}	25 kA (264 V AC)
	3 kA (350 V AC)
Voltage protection level U_{p} (L-N)	≤ 1.5 kV
Voltage protection level U_{p} (L-PE)	≤ 2.2 kV
Voltage protection level U_{p} (N-PE)	≤ 1.5 kV
Residual voltage U_{res} (L-N)	≤ 1.5 kV (at I_{n})
	≤ 1.2 kV (at 10 kA)
	≤ 1 kV (at 5 kA)
	≤ 0.9 kV (at 3 kA)
Residual voltage U_{res} (L-PE)	≤ 2.2 kV (at I_{n})
	≤ 2 kV (at 10 kA)
	≤ 1.8 kV (at 5 kA)
	≤ 1.6 kV (at 3 kA)
Residual voltage U_{res} (N-PE)	≤ 1.5 kV (at I_{n})
	≤ 1 kV (at 10 kA)
	≤ 0.9 kV (at 5 kA)
	≤ 0.8 kV (at 3 kA)
TOV behavior at U_{T} (L-N)	415 V AC (5 s / withstand mode)
	457 V AC (120 min / safe failure mode)
TOV behavior at U_{T} (N-PE)	1200 V AC (200 ms / withstand mode)
Response time t_{A} (L-N)	≤ 25 ns
Response time t_{A} (N-PE)	≤ 100 ns
Max. backup fuse with V-type through wiring	125 A (gG)
Max. backup fuse with branch wiring	315 A (gG)

Additional technical data

Maximum discharge current I_{max} (8/20) μs	100 kA
---	--------

Environmental and real-life conditions

Ambient conditions

Degree of protection	IP20 (only when all terminal points are used)
Ambient temperature (operation)	-40 °C ... 80 °C
Ambient temperature (storage/transport)	-40 °C ... 80 °C
Altitude	≤ 2000 m (amsl)
Permissible humidity (operation)	5 % ... 95 %
Shock (operation)	30g (Half-sine / 11 ms / 3x $\pm X$, $\pm Y$, $\pm Z$)
Vibration (operation)	5g (5 - 500 Hz/2.5 h/X, Y, Z)

SYS-SET/ 2 - Type 1+2 special combined lightning current and surge arrester



2880451

<https://www.phoenixcontact.com/za/products/2880451>

Approvals

UL specifications

Maximum continuous operating voltage MCOV (L-L)	528 V AC
Maximum continuous operating voltage MCOV (L-N)	264 V AC
Maximum continuous operating voltage MCOV (L-G)	264 V AC
Maximum continuous operating voltage MCOV (N-G)	350 V AC
Short-circuit current rating (SCCR)	50 kA
Voltage protection rating VPR (L-L)	2000 V
Voltage protection rating VPR (L-N)	1200 V
Voltage protection rating VPR (L-G)	1500 V
Voltage protection rating VPR (N-G)	1200 V
Nominal discharge current I_n	20 kA
Mode of protection	L-L L-N L-G N-G
Nominal voltage	240/415 V AC
Rated load current I_L	50 A
Power distribution system	Wye
Nominal frequency	50/60 Hz
SPD Type	2CA

UL connection data

Tightening torque	40 lb _F in.
Conductor cross-section AWG	3 ... 2

Standards and regulations

Standards/specifications	IEC 61643-11
Note	2011
Standards/specifications	EN 61643-11
Note	2012

Mounting

Mounting type	DIN rail: 35 mm
---------------	-----------------

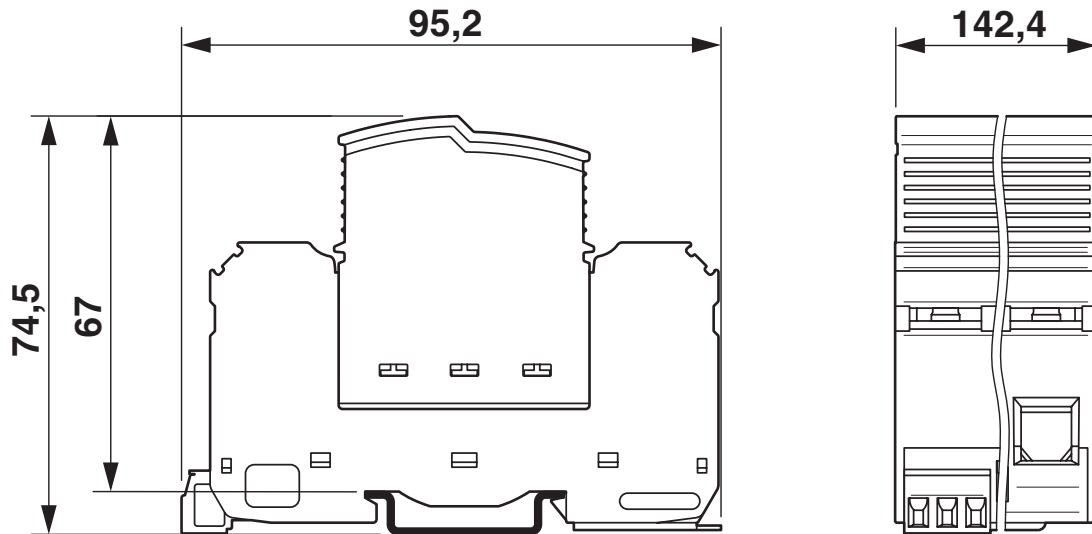
SYS-SET/ 2 - Type 1+2 special combined lightning current and surge arrester

2880451

<https://www.phoenixcontact.com/za/products/2880451>

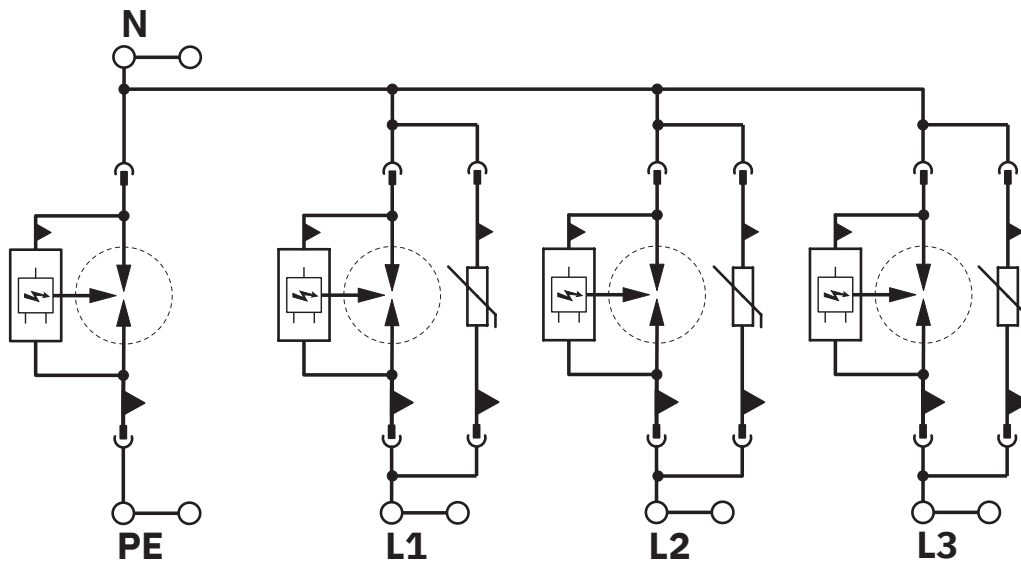
Drawings

Dimensional drawing



The figure shows the variant with remote indication contact

Circuit diagram



SYS-SET/ 2 - Type 1+2 special combined lightning current and surge arrester



2880451

<https://www.phoenixcontact.com/za/products/2880451>

Approvals

To download certificates, visit the product detail page: <https://www.phoenixcontact.com/za/products/2880451>



cUL Recognized
Approval ID: FILE E 330181



UL Recognized
Approval ID: FILE E 330181



IECEE CB Scheme
Approval ID: NL-58250

CCA

Approval ID: NTR-NL 7734

UAE-RoHS

Approval ID: 22-09-51535

SYS-SET/ 2 - Type 1+2 special combined lightning current and surge arrester



2880451

<https://www.phoenixcontact.com/za/products/2880451>

Classifications

ECLASS

ECLASS-13.0	27171204
ECLASS-15.0	27171204

ETIM

ETIM 10.0	EC001457
-----------	----------

UNSPSC

UNSPSC 21.0	39121600
-------------	----------

SYS-SET/ 2 - Type 1+2 special combined lightning current and surge arrester



2880451

<https://www.phoenixcontact.com/za/products/2880451>

Environmental product compliance

EU RoHS

Fulfills EU RoHS substance requirements	Yes
Exemption	6(c)

China RoHS

Environment friendly use period (EFUP)	EFUP-50
	An article-related China RoHS declaration table can be found in the download area for the respective article under "Manufacturer declaration". For all articles with EFUP-E, no China RoHS declaration table issued and required.

EU REACH SVHC

REACH candidate substance (CAS No.)	Lead(CAS: 7439-92-1)
-------------------------------------	----------------------

SYS-SET/ 2 - Type 1+2 special combined lightning current and surge arrester



2880451

<https://www.phoenixcontact.com/za/products/2880451>

Accessories

CLIPFIX 35 - End bracket

3022218

<https://www.phoenixcontact.com/za/products/3022218>



Quick mounting end clamp for NS 35/7,5 DIN rail or NS 35/15 DIN rail, with marking option, width: 9.5 mm, color: gray

EML (20XE)R - Label

0803452

<https://www.phoenixcontact.com/za/products/0803452>



Label, Roll, white (RAL 9010), unmarked, can be labeled with: THERMOMARK E.300 (D)/600 (D), THERMOMARK ROLL 2.0, THERMOMARK ROLL, THERMOMARK ROLL X1, THERMOMARK ROLLMASTER 300/600, THERMOMARK X1.2, mounting type: adhesive, Number of individual labels: 1, roll length: 40 m, text field height: 20 mm, text field width: 40000 mm

SYS-SET/ 2 - Type 1+2 special combined lightning current and surge arrester

2880451

<https://www.phoenixcontact.com/za/products/2880451>

EML (20XE)R YE - Label

0803453

<https://www.phoenixcontact.com/za/products/0803453>



Label, Roll, yellow (RAL 1018), unmarked, can be labeled with: THERMOMARK E.300 (D)/600 (D), THERMOMARK ROLL 2.0, THERMOMARK ROLL, THERMOMARK ROLL X1, THERMOMARK ROLLMASTER 300/600, THERMOMARK X1.2, mounting type: adhesive, Number of individual labels: 1, roll length: 40 m, text field height: 20 mm, text field width: 40000 mm

ZBN 18:UNBEDRUCKT - Zack marker strip

2809128

<https://www.phoenixcontact.com/za/products/2809128>



Zack marker strip, Strip, white (RAL 9010), unmarked, can be labeled with: CMS-P1-PLOTTER, PLOTMARK, mounting type: latching, for terminal block width: 18 mm, Number of individual labels: 5, text field height: 5 mm, text field width: 18 mm

SYS-SET/ 2 - Type 1+2 special combined lightning current and surge arrester

2880451

<https://www.phoenixcontact.com/za/products/2880451>

ZBN 18,LGS:L1-N,ERDE - Marker for terminal blocks

2749576

<https://www.phoenixcontact.com/za/products/2749576>



Marker for terminal blocks, Strip, white (RAL 9010), labeled, horizontal: L1, L2, L3, N, GND, mounting type: latching, for terminal block width: 18 mm, Number of individual labels: 5, text field height: 5 mm, text field width: 18 mm

ZBN 18,LGS:ERDE - Marker for terminal blocks

2749589

<https://www.phoenixcontact.com/za/products/2749589>



Marker for terminal blocks, Strip, white (RAL 9010), labeled, horizontal: Grounding symbol, mounting type: latching, for terminal block width: 18 mm, Number of individual labels: 5, text field height: 5 mm, text field width: 18 mm

SYS-SET/ 2 - Type 1+2 special combined lightning current and surge arrester

2880451

<https://www.phoenixcontact.com/za/products/2880451>

ZBFM 5/WH:UNBEDRUCKT - Flat zack marker sheet

0803595

<https://www.phoenixcontact.com/za/products/0803595>



Flat zack marker sheet, Sheet, white (RAL 9010), unmarked, can be labeled with: CMS-P1-PLOTTER, PLOTMARK, mounting type: latching, for terminal block width: 5.2 mm, Number of individual labels: 120, text field height: 5 mm, text field width: 4.5 mm

ZBN 18 CUS - Zack marker strip

0825059

<https://www.phoenixcontact.com/za/products/0825059>



Zack marker strip, can be ordered: Strip, white (RAL 9010), labeled according to customer specifications, mounting type: snap into tall marker groove, for terminal block width: 18 mm, Number of individual labels: 5, text field height: 5 mm, text field width: 18 mm

SYS-SET/ 2 - Type 1+2 special combined lightning current and surge arrester

2880451

<https://www.phoenixcontact.com/za/products/2880451>

X-PEN 0,35 - Marker pen

0811228

<https://www.phoenixcontact.com/za/products/0811228>



Marker pen without ink cartridge, for manual labeling of markers, labeling extremely wipe-proof, line thickness 0.35 mm

SZK PZ2 VDE - Screwdriver

1206463

<https://www.phoenixcontact.com/za/products/1206463>



Screwdriver, PZ crosshead, VDE insulated, size: PZ 2 x 100 mm, 2-component grip, with non-slip grip

SYS-SET/ 2 - Type 1+2 special combined lightning current and surge arrester

2880451

<https://www.phoenixcontact.com/za/products/2880451>

FLT-SEC-T1-350/25-P - Type 1/2 surge protection plug

2905471

<https://www.phoenixcontact.com/za/products/2905471>



Replacement plug for lightning and surge arresters from the FLASHTRAB SEC product range, for L-N and L-PEN paths.

VAL-SEC-T2-350-P - Type 2 surge protection plug

2905346

<https://www.phoenixcontact.com/za/products/2905346>



Replacement plug for surge arresters from the VALVETRAB SEC product range for L-N and L-PEN paths.

SYS-SET/ 2 - Type 1+2 special combined lightning current and surge arrester



2880451

<https://www.phoenixcontact.com/za/products/2880451>

FLT-SEC-P-T1-N/PE-350/100-P - Type 1 surge protection plug

2905473

<https://www.phoenixcontact.com/za/products/2905473>



Replacement plug free of leakage current for lightning arresters from the FLASHTRAB SEC product range, for the N-PE path.

Phoenix Contact 2026 © - all rights reserved
<https://www.phoenixcontact.com>

PHOENIX CONTACT (Pty) Ltd.
36 Lyn Road P.O. Box 916 ZA-Ferndale 2160

+27/11/801-8200
info@phoenixcontact.co.za