

# VAL-MS 230/3+1 FM - Type 2 surge arrester



2838199

<https://www.phoenixcontact.com/nl/products/2838199>

Please be informed that the data shown in this PDF document is generated from our online catalog. Please find the complete data in the user documentation. Our general terms of use for downloads are valid.



Surge voltage arrester consisting of base element with remote indicator contact and ground connectors, for mounting on NS 35/7.5, nominal voltage: 230 V AC, 3 + 1 circuit

## Your advantages

- Quality proven millions of times over in the widest range of applications
- Rapid installation with bridges, thanks to industry-standard overall width of 1 HP
- Easy testing and insulation measurement, thanks to pluggable protection modules
- Wide range of applications due to various nominal voltages
- High degree of modularity provides individual solutions for every application

## Commercial data

Item number	2838199
Packing unit	1 pc
Minimum order quantity	1 pc
Sales key	CL1321
Product key	CL1321
GTIN	4017918172800
Weight per piece (including packing)	400,9 g
Weight per piece (excluding packing)	399,7 g
Customs tariff number	85363030
Country of origin	DE

# VAL-MS 230/3+1 FM - Type 2 surge arrester



2838199

<https://www.phoenixcontact.com/nl/products/2838199>

## Technical data

### Product properties

Product type	Surge arrester
Product family	VALVETRAB MS
IEC test classification	II T2
EN type	T2
IEC power supply system	TN-S TT
Type	DIN rail module, two-section, divisible
Number of positions	4
Surge protection fault message	Optical, remote indicator contact
Number of ports	One

### Insulation characteristics

Overvoltage category	III
Pollution degree	2

### Electrical properties

Nominal frequency $f_N$	50 Hz (60 Hz)
-------------------------	---------------

### Indicator/remote signaling

Connection name	Remote fault indicator contact
Switching function	Changeover contact
Operating voltage	5 V AC ... 250 V AC 30 V DC
Operating current	5 mA AC ... 750 mA AC 1 A DC

### Connection data

Connection method	Screw connection
Screw thread	M5
Tightening torque	3 Nm (1.5 mm <sup>2</sup> ... 16 mm <sup>2</sup> ) 4.5 Nm (25 mm <sup>2</sup> ... 35 mm <sup>2</sup> )
Stripping length	16 mm
Conductor cross-section flexible	1.5 mm <sup>2</sup> ... 25 mm <sup>2</sup>
Conductor cross-section rigid	1.5 mm <sup>2</sup> ... 35 mm <sup>2</sup>
Conductor cross-section AWG	15 ... 2
Connection method	Fork-type cable lug
Conductor cross-section flexible	1.5 mm <sup>2</sup> ... 16 mm <sup>2</sup>

### Remote fault indicator contact

Connection method	Plug-in/screw connection via COMBICON
Screw thread	M2

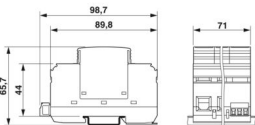
# VAL-MS 230/3+1 FM - Type 2 surge arrester

2838199

<https://www.phoenixcontact.com/nl/products/2838199>

Tightening torque	0.25 Nm
Stripping length	7 mm
Conductor cross-section flexible	0.14 mm <sup>2</sup> ... 1.5 mm <sup>2</sup>
Conductor cross-section rigid	0.14 mm <sup>2</sup> ... 1.5 mm <sup>2</sup>
Conductor cross-section AWG	28 ... 16

## Dimensions

Dimensional drawing	
Width	71 mm
Height	98.7 mm
Depth	65.7 mm (incl. DIN rail 7.5 mm)
Horizontal pitch	4 Div.

## Material specifications

Color	black (RAL 9005)
Flammability rating according to UL 94	V-0
CTI value of material	600
Insulating material	PA 6.6/PBT
Material group	I
Housing material	PA 6.6 PBT

## Protective circuit

Mode of protection	L-N
	L-PE
	N-PE
Direction of action	3L-N & N-PE
Nominal voltage $U_N$	240/415 V AC (TN-S)
	240/415 V AC (TT)
Nominal frequency $f_N$	50 Hz (60 Hz)
Maximum continuous operating voltage $U_C$ (L-N)	275 V AC
Maximum continuous operating voltage $U_C$ (L-PE)	275 V AC
Maximum continuous operating voltage $U_C$ (N-PE)	260 V AC
Rated load current $I_L$	80 A
Protective conductor current $I_{PE}$	$\leq 5 \mu A$
Standby power consumption $P_C$	$\leq 360 \text{ mVA}$
Nominal discharge current $I_n$ (8/20) $\mu s$	20 kA
Maximum discharge current $I_{max}$ (8/20) $\mu s$	40 kA
Follow current interrupt rating $I_{fi}$ (N-PE)	100 A
Short-circuit current rating $I_{SCCR}$	25 kA

# VAL-MS 230/3+1 FM - Type 2 surge arrester



2838199

<https://www.phoenixcontact.com/nl/products/2838199>

Voltage protection level $U_p$ (L-N)	$\leq 1.35$ kV
Voltage protection level $U_p$ (L-PE)	$\leq 1.6$ kV
Voltage protection level $U_p$ (N-PE)	$\leq 1.5$ kV
Residual voltage $U_{res}$ (L-N)	$\leq 1.35$ kV (at $I_n$ )
	$\leq 1.1$ kV (at 10 kA)
	$\leq 1$ kV (at 5 kA)
	$\leq 0.9$ kV (at 3 kA)
Residual voltage $U_{res}$ (L-PE)	$\leq 1.6$ kV (at $I_n$ )
	$\leq 1.2$ kV (at 10 kA)
	$\leq 1$ kV (at 5 kA)
	$\leq 0.9$ kV (at 3 kA)
Residual voltage $U_{res}$ (N-PE)	$\leq 0.4$ kV (at $I_n$ )
	$\leq 0.25$ kV (at 10 kA)
	$\leq 0.15$ kV (at 5 kA)
	$\leq 0.1$ kV (at 3 kA)
TOV behavior at $U_T$ (L-N)	335 V AC (5 s / withstand mode)
	440 V AC (120 min / safe failure mode)
TOV behavior at $U_T$ (N-PE)	1200 V AC (200 ms / withstand mode)
Response time $t_A$ (L-N)	$\leq 25$ ns
Response time $t_A$ (L-PE)	$\leq 100$ ns
Response time $t_A$ (N-PE)	$\leq 100$ ns
Max. backup fuse with V-type through wiring	80 A (gG)
Max. backup fuse with branch wiring	125 A (gG)

## Environmental and real-life conditions

### Ambient conditions

Degree of protection	IP20 (only when all terminal points are used)
Ambient temperature (operation)	-40 °C ... 80 °C
Ambient temperature (storage/transport)	-40 °C ... 80 °C
Altitude	$\leq 2000$ m (amsl)
Permissible humidity (operation)	5 % ... 95 %
Shock (operation)	25g (Half-sine / 11 ms / 3x $\pm X$ , $\pm Y$ , $\pm Z$ )
Vibration (operation)	5g (10 ... 500 Hz / 2.5 h / X, Y, Z)

## Approvals

### UL specifications

Maximum continuous operating voltage MCOV (L-L)	550 V AC
Maximum continuous operating voltage MCOV (L-N)	275 V AC
Maximum continuous operating voltage MCOV (L-G)	275 V AC
Maximum continuous operating voltage MCOV (N-G)	260 V AC
Nominal discharge current $I_n$ (L-L)	20 kA
Nominal discharge current $I_n$ (L-N)	20 kA
Nominal discharge current $I_n$ (L-G)	20 kA

# VAL-MS 230/3+1 FM - Type 2 surge arrester



2838199

<https://www.phoenixcontact.com/nl/products/2838199>

Nominal discharge current $I_n$ (N-G)	20 kA
Mode of protection	L-L
	L-N
	L-G
	N-G
Nominal voltage	230/400 V AC
Power distribution system	Wye
Nominal frequency	50/60 Hz
Measured limiting voltage MLV (L-L)	2720 V
Measured limiting voltage MLV (L-N)	1910 V
Measured limiting voltage MLV (L-G)	2630 V
Measured limiting voltage MLV (N-G)	1370 V
SPD Type	4CA

## UL indicator/remote signaling

Operating voltage	125 V AC
AC operating current	1 A AC

## UL connection data

Tightening torque	30 lb <sub>F</sub> -in.
Conductor cross-section AWG	14 ... 2

## Standards and regulations

Standards/specifications	IEC 61643-11
Note	2011
Standards/specifications	EN 61643-11
Note	2012

## Mounting

Mounting type	DIN rail: 35 mm
---------------	-----------------

# VAL-MS 230/3+1 FM - Type 2 surge arrester

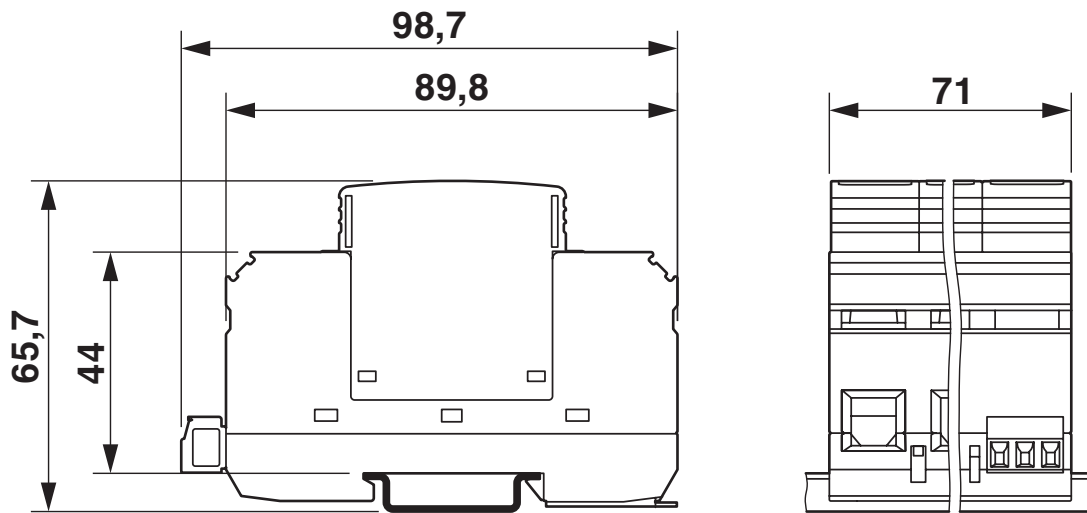
2838199

<https://www.phoenixcontact.com/nl/products/2838199>



## Drawings

Dimensional drawing

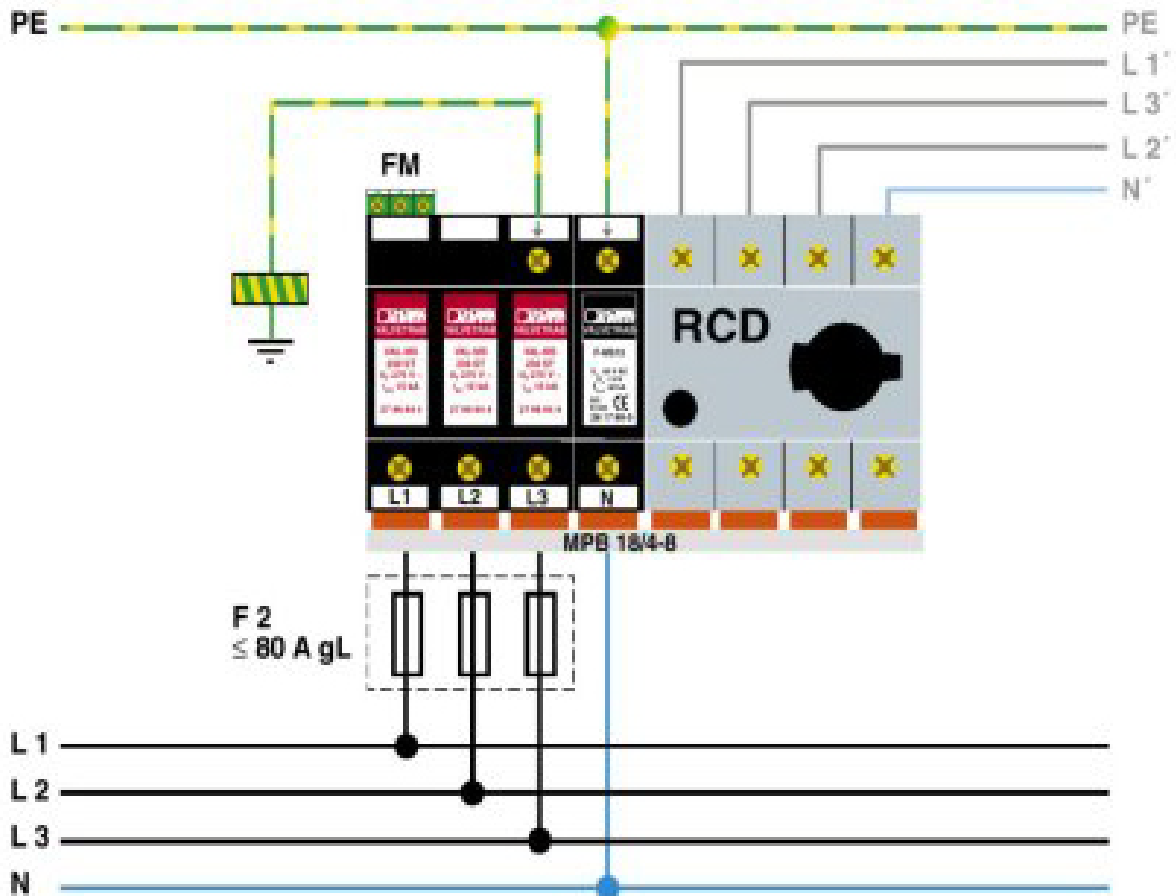


# VAL-MS 230/3+1 FM - Type 2 surge arrester

2838199

<https://www.phoenixcontact.com/nl/products/2838199>

Application drawing



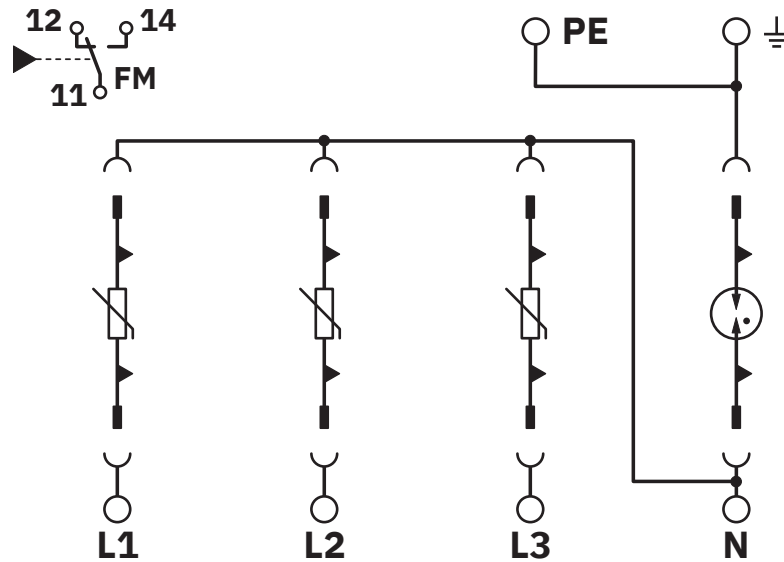
# VAL-MS 230/3+1 FM - Type 2 surge arrester

2838199

<https://www.phoenixcontact.com/nl/products/2838199>



Circuit diagram



# VAL-MS 230/3+1 FM - Type 2 surge arrester



2838199

<https://www.phoenixcontact.com/nl/products/2838199>

## Approvals

To download certificates, visit the product detail page: <https://www.phoenixcontact.com/nl/products/2838199>



**cUL Recognized**

Approval ID: FILE E 330181



**UL Recognized**

Approval ID: FILE E 330181



**IECEE CB Scheme**

Approval ID: AT 2905/M1

**CCA**

Approval ID: NTR-AT 1947-A



**KEMA-KEUR**

Approval ID: 71-148002



**DNV GL**

Approval ID: TAE000041M



**CSA**

Approval ID: 13631



**ÖVE**

Approval ID: 18583-001-17

**UAE-RoHS**

Approval ID: 22-09-51250

**UAE-RoHS**

Approval ID: 22-09-51251



**ÖVE**

Approval ID: 18583-001-18

# VAL-MS 230/3+1 FM - Type 2 surge arrester



2838199

<https://www.phoenixcontact.com/nl/products/2838199>

## Classifications

### ECLASS

ECLASS-13.0	27171202
ECLASS-15.0	27171202

### ETIM

ETIM 10.0	EC000941
-----------	----------

### UNSPSC

UNSPSC 21.0	39121600
-------------	----------

# VAL-MS 230/3+1 FM - Type 2 surge arrester



2838199

<https://www.phoenixcontact.com/nl/products/2838199>

## Environmental product compliance

### EU RoHS

Fulfills EU RoHS substance requirements	Yes, No exemptions
---	--------------------

### China RoHS

Environment friendly use period (EFUP)	EFUP-E
	No hazardous substances above the limits

### EU REACH SVHC

REACH candidate substance (CAS No.)	No substance above 0.1 wt%
-------------------------------------	----------------------------

# VAL-MS 230/3+1 FM - Type 2 surge arrester

2838199

<https://www.phoenixcontact.com/nl/products/2838199>

## Accessories

### MPB 18/4- 8 - Wiring bridge

2809283

<https://www.phoenixcontact.com/nl/products/2809283>



Wiring bridge for modules with connecting pitch 17.5 mm, 4-phase, 8-pos.

---

### MPB 18/1-57 - Wiring bridge

2809238

<https://www.phoenixcontact.com/nl/products/2809238>



Wiring bridge for modules with connecting pitch 17.5 mm, 1-phase, 57-pos.

# VAL-MS 230/3+1 FM - Type 2 surge arrester

2838199

<https://www.phoenixcontact.com/nl/products/2838199>

## MPB 18/1-12 - Wiring bridge

2748593

<https://www.phoenixcontact.com/nl/products/2748593>



Wiring bridge for modules with connecting pitch 17.5 mm, 1-phase, 12-pos.

---

## MPB 18/1- 9 - Wiring bridge

2748580

<https://www.phoenixcontact.com/nl/products/2748580>



Wiring bridge for modules with connecting pitch 17.5 mm, 1-phase, 9-pos.

# VAL-MS 230/3+1 FM - Type 2 surge arrester

2838199

<https://www.phoenixcontact.com/nl/products/2838199>

## MPB 18/1- 8 - Wiring bridge

2748577

<https://www.phoenixcontact.com/nl/products/2748577>



Wiring bridge for modules with connecting pitch 17.5 mm, 1-phase, 8-pos.

---

## MPB 18/1- 6 - Wiring bridge

2748564

<https://www.phoenixcontact.com/nl/products/2748564>



Wiring bridge for modules with connecting pitch 17.5 mm, 1-phase, 6-pos.

# VAL-MS 230/3+1 FM - Type 2 surge arrester

2838199

<https://www.phoenixcontact.com/nl/products/2838199>

## MPB 18/1- 4 - Wiring bridge

2809225

<https://www.phoenixcontact.com/nl/products/2809225>



Wiring bridge for modules with connecting pitch 17.5 mm, 1-phase, 4-pos.

---

## MPB 18/1- 3 - Wiring bridge

2809212

<https://www.phoenixcontact.com/nl/products/2809212>



Wiring bridge for modules with connecting pitch 17.5 mm, 1-phase, 3-pos.

# VAL-MS 230/3+1 FM - Type 2 surge arrester

2838199

<https://www.phoenixcontact.com/nl/products/2838199>



## MPB 18/1- 2 - Wiring bridge

2809209

<https://www.phoenixcontact.com/nl/products/2809209>



Wiring bridge for modules with connecting pitch 17.5 mm, 1-phase, 2-pos.

---

## ZBN 18,LGS:ERDE - Marker for terminal blocks

2749589

<https://www.phoenixcontact.com/nl/products/2749589>



Marker for terminal blocks, Strip, white (RAL 9010), labeled, horizontal:  
Grounding symbol, mounting type: latching, for terminal block width: 18 mm,  
Number of individual labels: 5, text field height: 5 mm, text field width: 18 mm

# VAL-MS 230/3+1 FM - Type 2 surge arrester

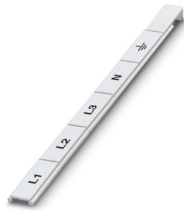
2838199

<https://www.phoenixcontact.com/nl/products/2838199>

## ZBN 18,LGS:L1-N,ERDE - Marker for terminal blocks

2749576

<https://www.phoenixcontact.com/nl/products/2749576>



Marker for terminal blocks, Strip, white (RAL 9010), labeled, horizontal: L1, L2, L3, N, GND, mounting type: latching, for terminal block width: 18 mm, Number of individual labels: 5, text field height: 5 mm, text field width: 18 mm

---

## ZBN 18:UNBEDRUCKT - Zack marker strip

2809128

<https://www.phoenixcontact.com/nl/products/2809128>



Zack marker strip, Strip, white (RAL 9010), unmarked, can be labeled with: CMS-P1-PLOTTER, PLOTMARK, mounting type: latching, for terminal block width: 18 mm, Number of individual labels: 5, text field height: 5 mm, text field width: 18 mm

# VAL-MS 230/3+1 FM - Type 2 surge arrester

2838199

<https://www.phoenixcontact.com/nl/products/2838199>



## DK-BIC-35 - Feed-through terminal block

2749880

<https://www.phoenixcontact.com/nl/products/2749880>



Feed-through terminal block for VAL and FLT applications

---

## ZBN 18 CUS - Zack marker strip

0825059

<https://www.phoenixcontact.com/nl/products/0825059>



Zack marker strip, can be ordered: Strip, white (RAL 9010), labeled according to customer specifications, mounting type: snap into tall marker groove, for terminal block width: 18 mm, Number of individual labels: 5, text field height: 5 mm, text field width: 18 mm

# VAL-MS 230/3+1 FM - Type 2 surge arrester

2838199

<https://www.phoenixcontact.com/nl/products/2838199>



## B-STIFT - Marker pen

1051993

<https://www.phoenixcontact.com/nl/products/1051993>



Marker pen, for manual labeling of unprinted Zack strips, smear-proof and waterproof, line thickness 0.5 mm

---

## SZK PZ2 VDE - Screwdriver

1206463

<https://www.phoenixcontact.com/nl/products/1206463>



Screwdriver, PZ crosshead, VDE insulated, size: PZ 2 x 100 mm, 2-component grip, with non-slip grip

# VAL-MS 230/3+1 FM - Type 2 surge arrester

2838199

<https://www.phoenixcontact.com/nl/products/2838199>



## VAL-MS 230 ST - Type 2 surge protection plug

2798844

<https://www.phoenixcontact.com/nl/products/2798844>



Surge protection connector type 2 with high-capacity varistor for VAL-MS base element, thermal monitoring, visual fault warning. Design: 230 V AC

## F-MS 12 ST - Type 2 surge protection plug

2817990

<https://www.phoenixcontact.com/nl/products/2817990>



Surge protection plug type 2, with N-PE total current spark gap for base element.

Phoenix Contact 2026 © - all rights reserved  
<https://www.phoenixcontact.com>

PHOENIX CONTACT B.V.  
Hengelder 56 6902 PA Zevenaar  
Postbus 246 6900 AE Zevenaar  
(0316) 59 17 20  
[sales@phoenixcontact.nl](mailto:sales@phoenixcontact.nl)