

YASKAWA AC Drive Option

Back-up Capacitor Unit for Momentary Power Loss Installation Manual

Type: P0010, P0020

To properly use the product, read this manual thoroughly and retain for easy reference, inspection, and maintenance. Ensure the end user receives this manual.



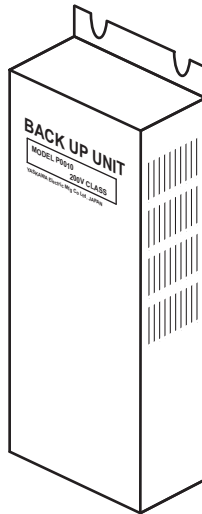
Copyright © 1991 YASKAWA ELECTRIC CORPORATION

All rights reserved. No part of this publication may be reproduced, stored in a retrieval system, or transmitted, in any form, or by any means, mechanical, electronic, photocopying, recording, or otherwise, without the prior written permission of Yaskawa. No patent liability is assumed with respect to the use of the information contained herein. Moreover, because Yaskawa is constantly striving to improve its high-quality products, the information contained in this manual is subject to change without notice. Every precaution has been taken in the preparation of this manual. Yaskawa assumes no responsibility for errors or omissions. Neither is any liability assumed for damages resulting from the use of the information contained in this publication.

Use the Back-up Capacitor Unit for Momentary Power Loss Option to continue drive operation when a momentary power loss of up to 2 seconds occurs. Mount the Option separately from the drive. Read this manual and the instruction manual of drive on which this unit is mounted before using the Back-up Capacitor Unit for Momentary Power Loss Option.

CAUTION

1. Read this manual and the instruction manual of drive on which this unit is mounted before using the back-up capacitor unit.
2. For connection of the back-up capacitor unit for momentary power loss, turn off the drive main circuit power supply and make sure that drive CHARGE indicator has been turned off.



Back-up Capacitor Unit for Momentary Power Loss Option
Model P0010 (200 V Class), and P0020 (400 V Class)

Terms

- Drive:
- Varispeed G7-Series Inverter
 - YASKAWA H1000-Series Drive
 - YASKAWA A1000-Series Drive
 - YASKAWA V1000-Series Drive
 - YASKAWA T1000A-Series Drive
 - YASKAWA T1000V-Series Drive
 - YASKAWA E1000-Series Drive
 - YASKAWA U1000-Series Drive
 - YASKAWA Z1000U-Series Drive
 - YASKAWA AC Drive GA700
 - YASKAWA AC Drive GA800

1 STANDARD SPECIFICATIONS

If operation should continue for approximately 2 seconds during momentary power loss, use the following tables to select the appropriate Back-up Capacitor Unit for Momentary Power Loss Option for the drive models listed.

Drive models not listed under the respective Drive Classes do not require the option to continue operation for approximately 2 seconds during momentary power loss.

Voltage	200 V Class									
Model	P0010									
Drive Class	Varispeed G7	A1000	V1000	T1000A	T1000V	E1000	U1000	Z1000U	GA700	GA800
Model	CIMR-□								CIPR-□	
	20P4 to 27P5	2A0004 to 2A0056	2A0001 to 2A0040	2A0004 to 2A0056	2A0001 to 2A0040	2A0004 to 2A0040	2A0028 to 2A0248	2A0028 to 2A0248	2004 to 2056	2004 to 2056
Drive Terminals	B1-⊖						p1-n1		B1-⊖	
Momentary Power Loss Operation Selection Parameter	L2-01									
Momentary Power Loss Ride-Thru Time Parameter	L2-02									
Power Supply Voltage	243 to 400 Vdc									
Charging Time	Charging time constant $\tau = \text{approx.} 4.5 \text{ s}$									
Charge Display	Displayed until main circuit DC voltage becomes 50 V or less.									

Voltage		200 V Class
Model		P0010
Environ-ments	Location	Indoor (no corrosive gases, dirt, or dust)
	Ambient Temp.	-10 to +50°C (+14 to +122°F)
	Storage Temp.	-20 to +60°C (-4 to +140°F)
	Humidity	90%RH or less (non-condensing)
	Vibration	Up to 1 G for 20 Hz or less, up to 0.2 G for 20 to 50 Hz
Enclosure		Open-Chassis Type, NEMA Type 1 (Enclosed Wall-Mounted)

Voltage	400 V Class										
Model	P0020										
Drive Class	Varispeed G7	H1000	A1000	V1000	T1000A	T1000V	E1000	U1000	Z1000U	GA700	GA800
Model	CIMR-□									CIPR-□	
	40P4 to 47P5	4A0003 to 4A0018	4A0002 to 4A0031	4A0001 to 4A0023	4A0002 to 4A0031	4A0001 to 4A0023	4A0002 to 4A0023	4A0011 to 4A0930	4A0011 to 4A0930	4002 to 4031	4002 to 4031
Drive Terminals	B1-⊖							p1-n1		B1-⊖	
Momentary Power Loss Operation Selection Parameter	L2-01										
Momentary Power Loss Ride-Thru Time Parameter	L2-02										
Power Supply Voltage	460 to 800 Vdc										
Charging Time	Charging time constant $\tau = \text{approx.}0.7 \text{ s}$										
Charge Display	Displayed until main circuit DC voltage becomes 50 V or less.										
Environ-ments	Location	Indoor (no corrosive gases, dirt, or dust)									
	Ambient Temp.	-10 to +50°C (+14 to +122°F)									
	Storage Temp.	-20 to +60°C (-4 to +140°F)									
	Humidity	90%RH or less (non-condensing)									
	Vibration	Up to 1 G for 20 Hz or less, up to 0.2 G for 20 to 50 Hz									
Enclosure	Open-Chassis Type, NEMA Type 1 (Enclosed Wall-Mounted)										

2 CONNECTION TO DRIVE

Prior to installing the option, wire the drive, make the necessary connections to the drive terminals, and verify that the drive functions normally without the option installed. Refer to the manual packaged with the drive for information on wiring and connecting the drive.

1. Shut off power to the drive.

WARNING! Electrical Shock Hazard. Do not connect or disconnect wiring while the power is on. Failure to comply will result in death or serious injury. Before servicing, disconnect all power to the equipment. The internal capacitor remains charged even after the power supply is turned off. After shutting off the power, wait for at least the amount of time specified on the drive before touching any components.

2. Remove the front cover of the drive to access the “B1” and \ominus terminals on the drive. When connecting to U1000 or Z1000U, connect to the drive’s n1 and p1 terminals.
3. For Enclosed Wall-mounted versions of the Back-up Capacitor Option Unit, Remove the front cover of the Back-up Capacitor Option Unit.
4. Connect the Back-up Capacitor Option Unit and drive as shown in Fig. 1. When using U1000 or Z1000U, refer to Fig.2. The Back-up Capacitor Option Unit uses M4 sized terminal screws. Use 2 mm²(14 AWG) or larger wires for connections.

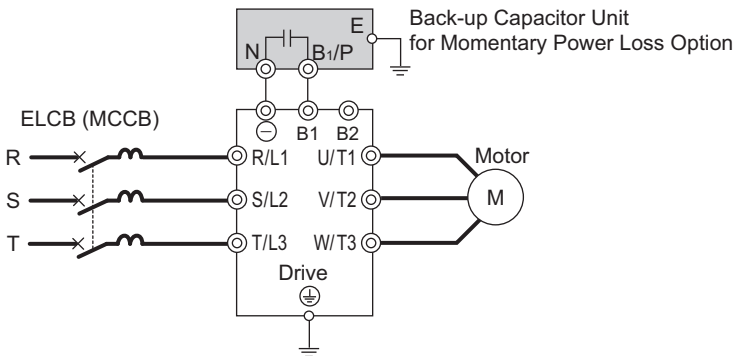


Fig. 1 Connection Diagram for Drive and Option (Example: GA700)

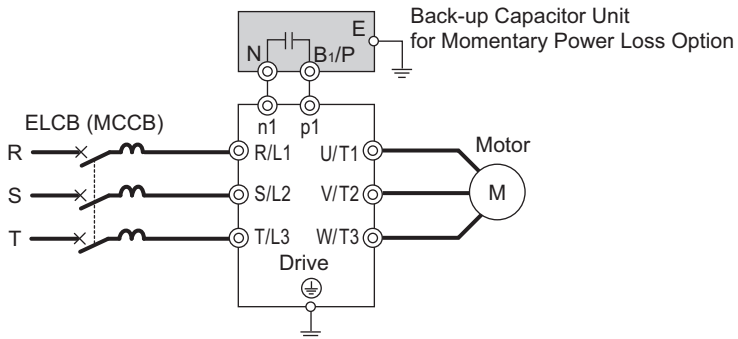


Fig. 2 Connection Diagram for Drive and Option (Example: U1000)

5. Set the drive parameters for momentary power loss.

(Example: GA700)

- Momentary Power Loss Operation Selection (L2-01 = 1: Recover within L2-02)
- Momentary Power Loss Operation Ride-Thru Time (L2-02 = 2.0 s)

3 Exterior and Mounting DIMENSIONS

Models P0010 and P0020 have the same dimensions.

The Option mounts using 4 M6 screws. Mount the Option separately from the drive.

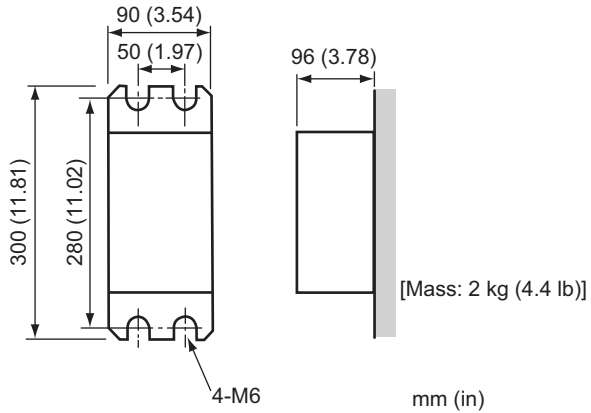


Fig. 3 External Dimensions

4 Disposal

■ Disposal Instructions

Correctly dispose of this product and packing material as specified by applicable regional, local, and municipal laws and regulations.

■ WEEE Directive

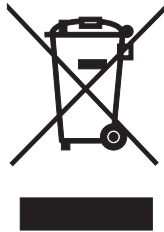


Fig. 4 WEEE Mark

The wheelie bin symbol on this product, its manual, or its packaging identifies that you must recycle it at the end of its product life.

You must discard the product at an applicable collection point for electrical and electronic equipment (EEE).

Do not discard the product with usual waste.

YASKAWA AC Drive Option Back-up Capacitor Unit for Momentary Power Loss Installation Manual

DRIVE CENTER (INVERTER PLANT)

2-13-1, Nishimiyachi, Yukukashi, Fukuoka, 824-8511, Japan
Phone: +81-930-25-2548 Fax: +81-930-25-3431
<http://www.yaskawa.co.jp>

YASKAWA ELECTRIC CORPORATION

New Pier Takeshiba South Tower, 1-16-1, Kaigan, Minatoku, Tokyo, 105-6891, Japan
Phone: +81-3-5402-4502 Fax: +81-3-5402-4580
<http://www.yaskawa.co.jp>

YASKAWA AMERICA, INC.

2121, Norman Drive South, Waukegan, IL 60085, U.S.A.
Phone: +1-800-YASKAWA (627-5292) or +1-847-887-7000 Fax: +1-847-887-7310
<http://www.yaskawa.com>

YASKAWA ELÉTRICO DO BRASIL LTDA.

777, Avenida Pirapitima, Diadema, São Paulo, 09950-000, Brasil
Phone: +55-11-3585-1100 Fax: +55-11-3585-1187
<http://www.yaskawa.com.br>

YASKAWA EUROPE GmbH

Hauptstraße 185, 65760 Eschborn, Germany
Phone: +49-6196-569-300 Fax: +49-6196-569-398
<http://www.yaskawa.eu.com> E-mail: info@yaskawa.eu.com

YASKAWA ELECTRIC KOREA CORPORATION

35F, Three IFC, 10 Gukjegeumyung-ro, Yeongdeungpo-gu, Seoul, 07326, Korea
Phone: +82-2-794-7844 Fax: +82-2-794-9455
<http://www.yaskawa.co.kr>

YASKAWA ASIA PACIFIC PTE. LTD.

30A, Kallang Place, #06-01, 339213, Singapore
Phone: +65-6282-3003 Fax: +65-6289-3003
<http://www.yaskawa.com.sg>

YASKAWA ELECTRIC (THAILAND) CO., LTD.

59, 1st-5th Floor, Flourish Building, Soi Ratchadapisek 18, Ratchadapisek Road, Huaykwang, Bangkok, 10310, Thailand
Phone: +66-2-017-0099 Fax: +66-2-017-0799
<http://www.yaskawa.co.th>

YASKAWA ELECTRIC (CHINA) CO., LTD.

22F, Link Square 1, No.222, Hubin Road, Shanghai, 200021, China
Phone: +86-21-5385-2200 Fax: +86-21-5385-3299
<http://www.yaskawa.com.cn>

YASKAWA ELECTRIC (CHINA) CO., LTD. BEIJING OFFICE

Room 1011, Tower W3 Oriental Plaza, No. 1, East Chang An Ave.,
Dong Cheng District, Beijing, 100738, China
Phone: +86-10-8519-4086 Fax: +86-10-8519-4082

YASKAWA ELECTRIC TAIWAN CORPORATION

12F, No. 207, Sec. 3, Beishin Rd., Shindian Dist., New Taipei City 23143, Taiwan
Phone: +886-2-8913-1333 Fax: +886-2-8913-1513 or +886-2-8913-1519
<http://www.yaskawa.com.tw>

YASKAWA INDIA PRIVATE LIMITED

#17/A, Electronics City, Hosur Road, Bangalore, 560 100 (Karnataka), India
Phone: +91-80-4244-1900 Fax: +91-80-4244-1901
<http://www.yaskawaindia.in>

YASKAWA

YASKAWA ELECTRIC CORPORATION

In the event that the end user of this product is to be the military and said product is to be employed in any weapons systems or the manufacture thereof, the export will fall under the relevant regulations as stipulated in the Foreign Exchange and Foreign Trade Regulations. Therefore, be sure to follow all procedures and submit all relevant documentation according to any and all rules, regulations and laws that may apply.

Specifications are subject to change without notice for ongoing product modifications and improvements.

© 1991 YASKAWA ELECTRIC CORPORATION



TOE-C736-50.6

MANUAL NO.

TOE-C736-50.6E <4>-0

Published in Japan December 2018
18-11-20